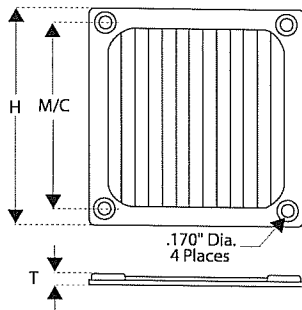


FAN ACCESSORIES

Aluminum & Stainless Steel Fan Filters - 06 Series

These filters provide maximum airflow with effective filtering. Mill and irridite finishes are offered to enhance EMI/RFI shielding as well as black anodized finish for aesthetic purposes. The tightly woven aluminum corrugated mesh screen is encased in a formed aluminum frame built for ruggedness and durability. The units are easily washed in a solvent or degreaser and can be mounted directly to the fan or to a panel. Stainless steel mesh is available for special applications.

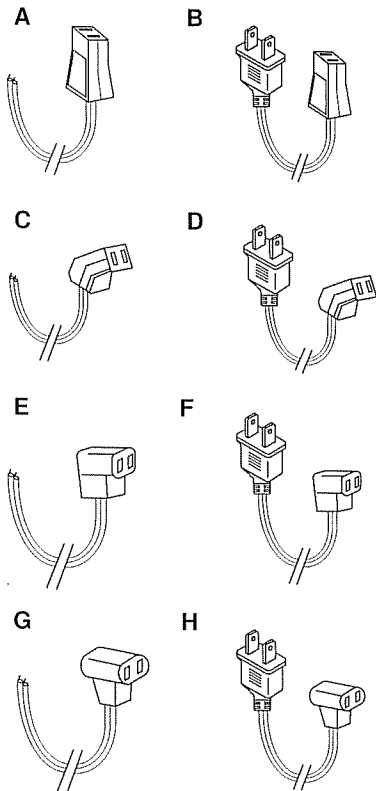


Part Number	Fan Size		Finish	Height (H)		Thickness (T)		Mounting Hole Centers (M/C)	
	mm	in		mm	in	mm	in	mm	in
60 mm - 2.50"									
06250-B	60	2.50	Anodized (Black)	63.5	2.50	3.50	.138	49.53	1.950
06250-M	60	2.50	Mill (No Finish)	63.5	2.50	3.50	.138	49.53	1.950
06250-C	60	2.50	Irridite (Clear)	63.5	2.50	3.50	.138	49.53	1.950
06250-SS	60	2.50	Stainless Steel	63.5	2.50	3.50	.138	49.53	1.950
80 mm - 3.13"									
06325-B	80	3.13	Anodized (Black)	83.82	3.30	4.45	.175	71.37	2.810
06325-M	80	3.13	Mill (No Finish)	83.82	3.30	4.45	.175	71.37	2.810
06325-C	80	3.13	Irridite (Clear)	83.82	3.30	4.45	.175	71.37	2.810
06325-SS	80	3.13	Stainless Steel	83.82	3.30	4.45	.175	71.37	2.810
92 mm - 3.62"									
06362-B	92	3.62	Anodized (Black)	91.95	3.62	4.45	.175	82.42	3.245
06362-M	92	3.62	Mill (No Finish)	91.95	3.62	4.45	.175	82.42	3.245
06362-C	92	3.62	Irridite (Clear)	91.95	3.62	4.45	.175	82.42	3.245
06362-SS	92	3.62	Stainless Steel	91.95	3.62	4.45	.175	82.42	3.245
120 mm - 4.50"									
06450-B	120	4.50	Anodized (Black)	118.87	4.68	4.45	.175	104.77	4.125
06450-M	120	4.50	Mill (No Finish)	118.87	4.68	4.45	.175	104.77	4.125
06450-C	120	4.50	Irridite (Clear)	118.87	4.68	4.45	.175	104.77	4.125
06450-SS	120	4.50	Stainless Steel	118.87	4.68	4.45	.175	104.77	4.125

Material: **B, M, C** = 30 x 30 Aluminum Convuluted Mesh with Aluminum Frame, **SS** = 30 x 30 Stainless Steel Convuluted Mesh with Stainless Steel Frame. Also available is **G** = Irridite Gold Finish.

Fan Power Cords - 07 Series

Fan-S offers four configurations of high quality fan power cords designed to be used with tubeaxial fans with a strain relief for added safety. UL and CSA rated at 7 amps/300 volts with special configurations such as daisy chain, special length and color are available.

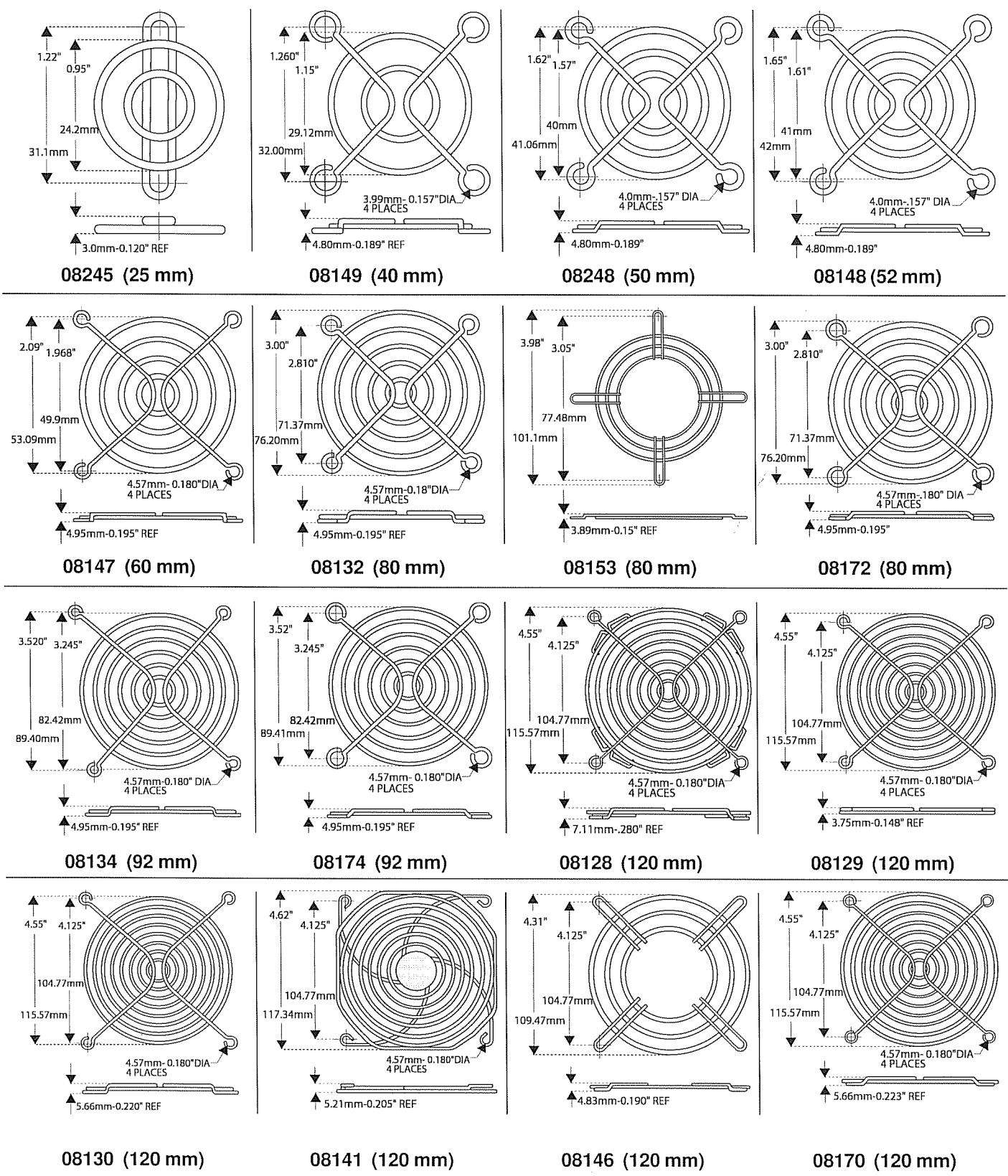


Part Number	Cord Length		Plug Style	Figure	Cordage
	mm	in			
07100-12	305	12"	Straight	A	SPT-1(18/2)
07100-24	610	24"	Straight	A	SPT-1(18/2)
07100-36	915	36"	Straight	A	SPT-1(18/2)
07100-50	1270	50"	Straight	A	SPT-1(18/2)
07100-SPO24	610	24"	Straight	B	SPT-1(18/2)
07100-SPO36	915	36"	Straight	B	SPT-1(18/2)
07100-SPO72	1829	72"	Straight	B	SPT-1(18/2)
07145-12	305	12"	45°	C	SPT-1(18/2)
07145-24	610	24"	45°	C	SPT-1(18/2)
07145-36	915	36"	45°	C	SPT-1(18/2)
07145-50	1270	50"	45°	C	SPT-1(18/2)
07145-SPO24	610	24"	45°	D	SPT-1(18/2)
07145-SPO36	915	36"	45°	D	SPT-1(18/2)
07145-SPO72	1829	72"	45°	D	SPT-1(18/2)
07190-12	305	12"	90°	E	SPT-1(18/2)
07190-24	610	24"	90°	E	SPT-1(18/2)
07190-36	915	36"	90°	E	SPT-1(18/2)
07190-50	1270	50"	90°	E	SPT-1(18/2)
07190-SPO24	610	24"	90°	F	SPT-1(18/2)
07190-SPO36	915	36"	90°	F	SPT-1(18/2)
07190-SPO72	1829	72"	90°	F	SPT-1(18/2)
07199-12	305	12"	T-Type	G	SPT-1(18/2)
07199-24	610	24"	T-Type	G	SPT-1(18/2)
07199-36	915	36"	T-Type	G	SPT-1(18/2)
07199-50	1270	50"	T-Type	G	SPT-1(18/2)
07199-SPO24	610	24"	T-Type	H	SPT-1(18/2)
07199-SPO36	915	36"	T-Type	H	SPT-1(18/2)
07199-SPO72	1829	72"	T-Type	H	SPT-1(18/2)

FAN ACCESSORIES

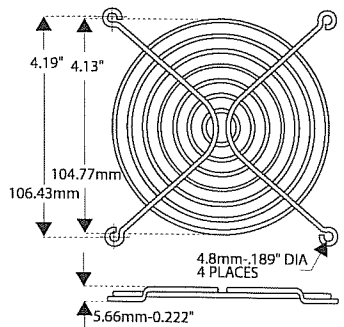
Wire Form Fan Guards - 08 Series

All wire form fan guards are produced in our ISO 9001 certified facility to assure compliance to our rigid specifications. Available for fan sizes 25mm to 254mm with a high quality nickel chrome finish as our standard. Also available in zinc and black finish and custom designs are welcomed.

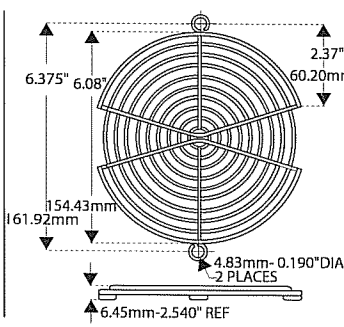


FAN ACCESSORIES

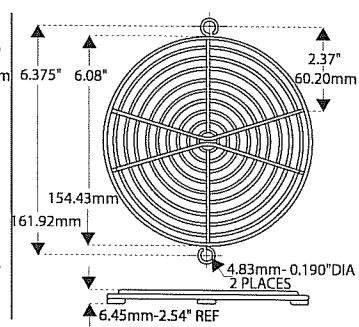
Wire Form Fan Guards - 08 Series



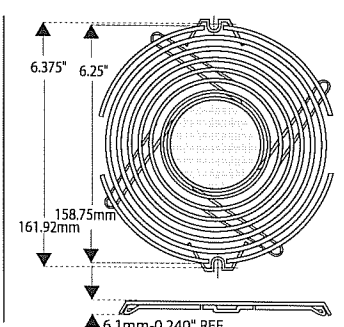
08213 (120 mm)



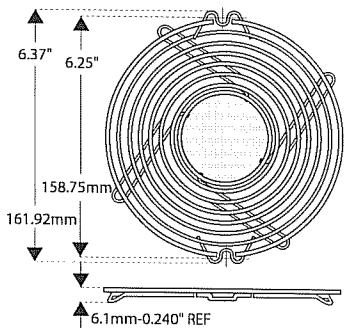
08125 (150 mm)



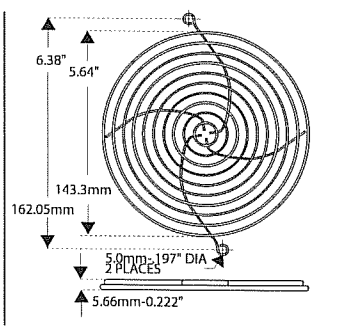
08126 (150 mm)



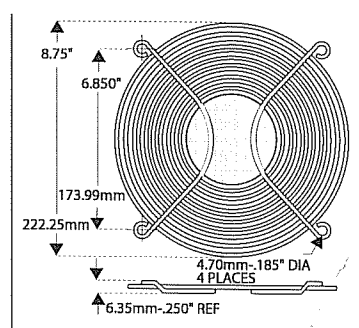
08151 (150 mm)



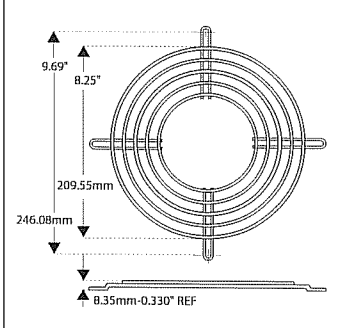
08152 (150 mm)



08169 (150 mm)



08127 (254 mm)



08154 (254 mm)

Part * Number	For Use With Fan Size		Rib Material Dia.		Ring Material Dia.		Mounting Hole Centers		Outside Ring Dia.		Thickness	
	mm	in.	mm	in.	mm	in.	mm	in.	mm	in.	mm	in.
08125	150	6.00	2.31	.091	1.80	.071	161.9	6.38	154.4	6.08	6.45	.254
08126	150	6.00	2.31	.091	1.80	.071	161.9	6.38	154.4	6.08	6.45	.254
08127	254	10.00	2.31	.091	2.31	.091	174.0	6.85	222.3	8.75	6.35	.250
08128	120	4.50	2.31	.091	1.80	.071	104.9	4.13	115.6	4.55	7.11	.280
08129	120	4.50	2.31	.091	1.80	.071	104.9	4.13	115.6	4.55	3.75	.148
08130	120	4.50	2.31	.091	1.80	.071	104.9	4.13	115.6	4.55	5.66	.220
08132	80	3.13	1.80	.071	1.60	.063	71.5	2.81	76.2	3.00	4.95	.190
08134	92	3.62	1.80	.071	1.60	.063	82.5	3.25	89.4	3.52	4.95	.190
08141	120	4.50	2.03	.080	1.60	.063	104.9	4.13	117.3	4.62	5.21	.205
08146**	120	4.50	1.60	.063	1.60	.063	104.9	4.13	109.5	4.31	4.83	.190
08147	60	2.50	1.60	.063	1.60	.063	50.0	1.97	53.1	2.09	4.95	.195
08148	52	2.00	1.60	.063	1.60	.063	42.0	1.65	41.0	1.61	4.80	.189
08149	40	1.50	1.60	.063	1.60	.063	32.0	1.26	29.1	1.15	4.80	.189
08151	150	6.00	1.60	.063	1.60	.063	161.9	6.38	158.8	6.25	6.10	.240
08152	150	6.00	1.60	.063	1.60	.063	161.9	6.38	158.8	6.25	6.10	.240
08153**	80	3.13	1.60	.063	1.19	.047	71.5	2.81	77.0	3.03	3.89	.150
08154**	254	10.00	2.03	.080	2.03	.080	174.0	6.85	209.6	8.25	8.35	.330
08169	150	6.00	2.03	.080	1.60	.063	161.9	6.38	143.3	5.64	5.66	.222
08170	120	4.50	1.80	.071	1.80	.071	104.9	4.13	115.6	4.55	5.66	.223
08172	80	3.13	1.60	.063	1.60	.063	71.5	2.81	76.2	3.00	4.95	.195
08174	92	3.62	1.60	.063	1.60	.063	82.5	3.25	89.4	3.52	4.95	.195
08213	120	4.50	2.30	.091	1.80	.071	104.9	4.13	105.4	4.19	5.66	.222
08245	25	1.00	1.50	.059	1.50	.059	20.0	0.79	24.2	0.95	3.00	.120
08248	50	1.97	1.60	.063	1.60	.063	40.0	1.57	41.6	1.62	4.80	.189

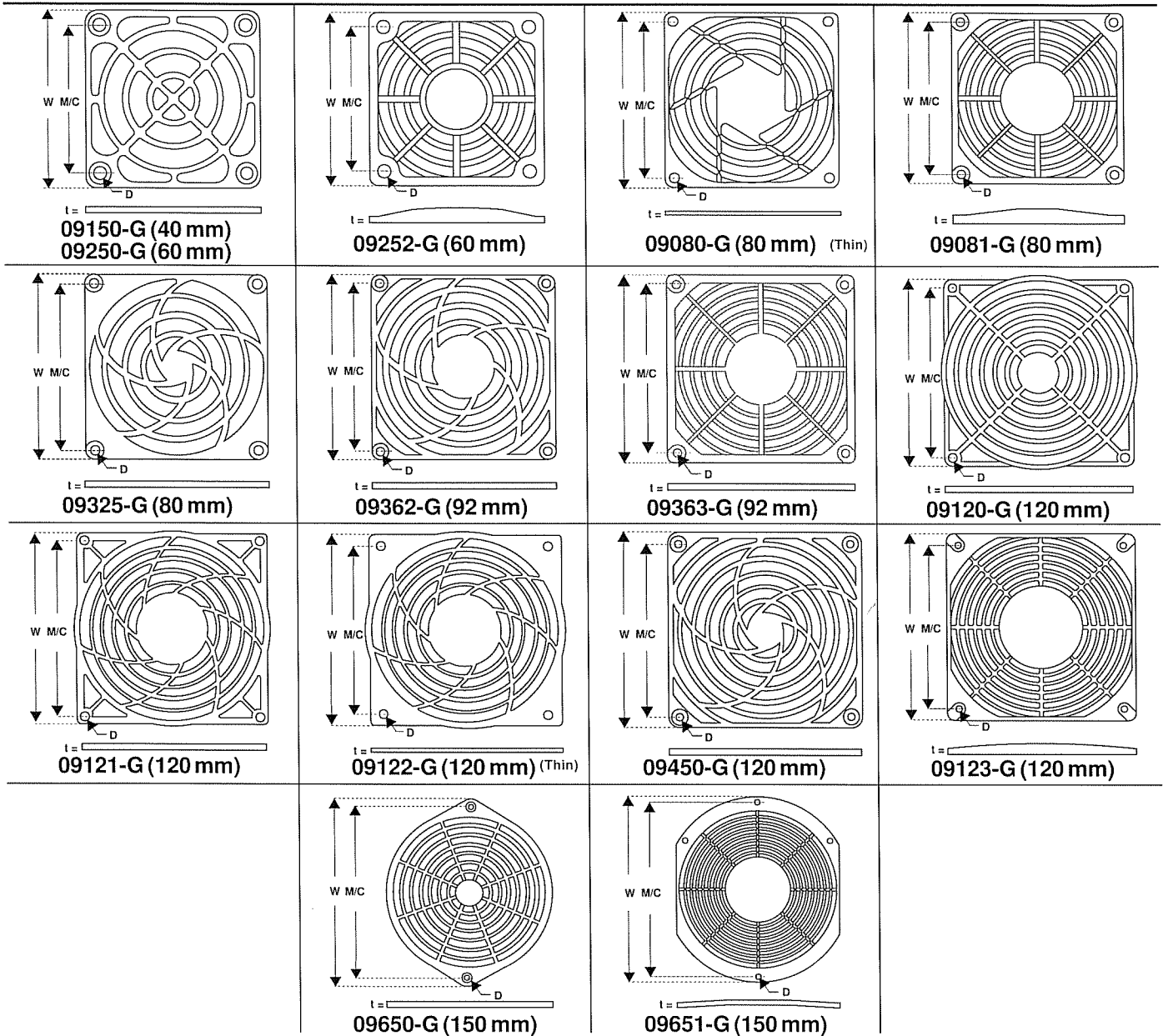
* Note: Add to part number for: Zinc (-01), Black (-02), EMI Enhanced Double Nickel (-05) (example: 08149-02 Black 40 mm Fan Guard.)

** Does not meet 1/4" max. ring spacing.

FAN ACCESSORIES

Plastic Fan Guards - 09 Series

The 09 Series low cost plastic fan guards produced with UL 94-V0 material are designed for tubeaxial fans with design considerations given to maximize airflow with reduced noise levels. Space saving models (Thin) designed for 80 & 120 mm.



Part Number	For Use With Fan Size		Mounting Hole Center (M/C)		Mounting Hole Dia. 4 Places (D)		Width (W)		Thickness (t)	
	mm	in.	mm	in.	mm	in.	mm	in.	mm	in.
09080-G	80	3.15	71.5	2.81	4.06	0.16	80.0	3.15	3.05	0.120
09081-G	80	3.15	71.5	2.81	8.00	0.31	80.0	3.15	7.00	0.276
09120-G	120	4.50	104.9	4.13	4.57	0.18	115.1	4.53	6.60	0.260
09121-G	120	4.50	104.9	4.13	4.57	0.18	115.1	4.53	6.60	0.260
09122-G	120	4.50	104.9	4.13	4.57	0.18	115.1	4.53	2.54	0.100
09123-G	120	4.50	105.0	4.13	8.00	0.31	120.0	4.72	7.00	0.276
09150-G	40	1.50	32.0	1.26	4.32	0.17	39.9	1.57	4.75	0.190
09250-G	60	2.50	50.0	1.97	4.57	0.18	60.0	2.36	6.35	0.250
09252-G	60	2.50	50.0	1.97	8.00	0.32	60.0	2.36	7.00	0.276
09325-G	80	3.15	71.5	2.81	3.81	0.15	80.0	3.15	6.35	0.250
09362-G	92	3.62	82.5	3.25	3.81	0.15	92.0	3.62	6.35	0.250
09363-G	92	3.62	82.5	3.25	4.50	0.18	92.0	3.62	7.00	0.276
09450-G	120	4.50	104.9	4.13	4.57	0.18	118.1	4.65	7.09	0.279
09650-G	150	6.00	161.8	6.38	5.08(2)	0.20(2)	154.4	6.08	9.91	0.390
09651-G	150	6.00	161.8	6.38	5.08(2)	0.20(2)	158.0	6.22	7.50	0.295

FAN ACCESSORIES

Plastic Fan Filter Assemblies - 09 Series

Fan-S offers a unique fan filter package consisting of a guard, foam filter media and retainer for the removal of dust and contaminating particles with quick and simple installation.

Fig. A

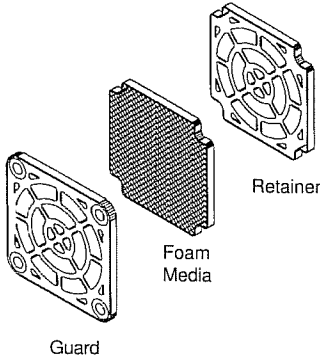
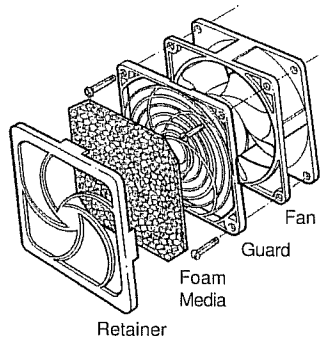
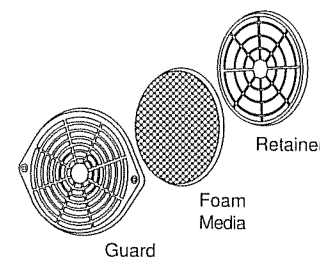


Fig. B



+ Fan not supplied by Qualtek.

Fig. C



* Each package contains 5 pieces
 ** Pores Per Inch (PPI)

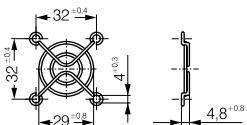
Part Number	Description	Mounting Hole Centers		Mounting Hole Dia. 4 Places		Width 4 Places		Thickness	
		mm	in	mm	in	mm	in	mm	in
40 mm - 1.50 " Fig. A									
09150-F/30	Guard, Retainer, Media (30 PPI)**	32.0	1.26	4.32	.17	39.9	1.57	4.83	.19
09150-F/45	Guard, Retainer, Media (45 PPI)**	32.0	1.26	4.32	.17	39.9	1.57	4.83	.19
09150-F/60	Guard, Retainer, Media (60 PPI)**	32.0	1.26	4.32	.17	39.9	1.57	4.83	.19
09150-F/100	Guard, Retainer, Media (100 PPI)**	32.0	1.26	4.32	.17	39.9	1.57	4.83	.19
09150-M/30*	Foam Media, (30 PPI)**	-	-	-	-	36.3	1.43	2.29	.09
09150-M/45*	Foam Media, (45 PPI)**	-	-	-	-	36.3	1.43	2.29	.09
09150-M/60*	Foam Media, (60 PPI)**	-	-	-	-	36.3	1.43	2.29	.09
09150-M/100*	Foam Media, (100 PPI)**	-	-	-	-	36.3	1.43	2.29	.09
09150-G	Guard Only	32.0	1.26	4.32	.17	39.9	1.57	4.75	.19
09150-R	Retainer Only	-	-	-	-	36.3	1.43	1.02	.04
60 mm - 2.50 " Fig. A									
09250-F/30	Guard, Retainer, Media (30 PPI)**	50.0	1.97	4.57	.18	60.0	2.36	6.35	.25
09250-F/45	Guard, Retainer, Media (45 PPI)**	50.0	1.97	4.57	.18	60.0	2.36	6.35	.25
09250-F/60	Guard, Retainer, Media (60 PPI)**	50.0	1.97	4.57	.18	60.0	2.36	6.35	.25
09250-F/100	Guard, Retainer, Media (100 PPI)**	50.0	1.97	4.57	.18	60.0	2.36	6.35	.25
09250-M/30*	Foam Media, (30 PPI)**	-	-	-	-	56.6	2.23	2.79	.11
09250-M/45*	Foam Media, (45 PPI)**	-	-	-	-	56.6	2.23	2.79	.11
09250-M/60*	Foam Media, (60 PPI)**	-	-	-	-	56.6	2.23	2.79	.11
09250-M/100*	Foam Media, (100 PPI)**	-	-	-	-	56.6	2.23	2.79	.11
09250-G	Guard Only	50.0	1.97	4.57	.18	60.0	2.36	6.35	.25
09250-R	Retainer Only	-	-	-	-	56.6	2.23	3.30	.13
80 mm - 3.13 " Fig. B									
09325-F/30	Guard, Retainer, Media (30 PPI)**	71.5	2.81	3.81	.15	83.6	3.29	9.91	.39
09325-F/45	Guard, Retainer, Media (45 PPI)**	71.5	2.81	3.81	.15	83.6	3.29	9.91	.39
09325-F/60	Guard, Retainer, Media (60 PPI)**	71.5	2.81	3.81	.15	83.6	3.29	9.91	.39
09325-F/100	Guard, Retainer, Media (100 PPI)**	71.5	2.81	3.81	.15	83.6	3.29	9.91	.39
09325-M/30*	Foam Media, (30 PPI)**	-	-	-	-	77.7	3.06	3.30	.13
09325-M/45*	Foam Media, (45 PPI)**	-	-	-	-	77.7	3.06	3.30	.13
09325-M/60*	Foam Media, (60 PPI)**	-	-	-	-	77.7	3.06	3.30	.13
09325-M/100*	Foam Media, (100 PPI)**	-	-	-	-	77.7	3.06	3.30	.13
09325-G	Guard Only	71.4	2.81	3.81	.15	80.0	3.15	6.35	.25
09325-R	Retainer Only	-	-	-	-	83.6	3.29	9.91	.39
92 mm - 3.62 " Fig. B									
09362-F/30	Guard, Retainer, Media (30 PPI)**	82.5	3.25	3.81	.15	96.5	3.80	9.91	.39
09362-F/45	Guard, Retainer, Media (45 PPI)**	82.5	3.25	3.81	.15	96.5	3.80	9.91	.39
09362-F/60	Guard, Retainer, Media (60 PPI)**	82.5	3.25	3.81	.15	96.5	3.80	9.91	.39
09362-F/100	Guard, Retainer, Media (100 PPI)**	82.5	3.25	3.81	.15	96.5	3.80	9.91	.39
09362-M/30*	Foam Media, (30 PPI)**	-	-	-	-	89.9	3.54	3.30	.13
09362-M/45*	Foam Media, (45 PPI)**	-	-	-	-	89.9	3.54	3.30	.13
09362-M/60*	Foam Media, (60 PPI)**	-	-	-	-	89.9	3.54	3.30	.13
09362-M/100*	Foam Media, (100 PPI)**	-	-	-	-	89.9	3.54	3.30	.13
09362-G	Guard Only	82.5	3.25	3.81	.15	91.9	3.62	6.35	.25
09362-R	Retainer Only	-	-	-	-	96.5	3.80	9.91	.39
120 mm - 4.50 " Fig. B									
09450-F/30	Guard, Retainer, Media (30 PPI)**	104.9	4.13	4.57	.18	123.7	4.87	10.67	.42
09450-F/45	Guard, Retainer, Media (45 PPI)**	104.9	4.13	4.57	.18	123.7	4.87	10.67	.42
09450-F/60	Guard, Retainer, Media (60 PPI)**	104.9	4.13	4.57	.18	123.7	4.87	10.67	.42
09450-F/100	Guard, Retainer, Media (100 PPI)**	104.9	4.13	4.57	.18	123.7	4.87	10.67	.42
09450-M/30*	Foam Media, (30 PPI)**	-	-	-	-	115.6	4.55	3.30	.13
09450-M/45*	Foam Media, (45 PPI)**	-	-	-	-	115.6	4.55	3.30	.13
09450-M/60*	Foam Media, (60 PPI)**	-	-	-	-	115.6	4.55	3.30	.13
09450-M/100*	Foam Media, (100 PPI)**	-	-	-	-	115.6	4.55	3.30	.13
09450-G	Guard Only	104.9	4.13	4.57	.18	118.1	4.65	7.09	.28
09450-R	Retainer Only	-	-	-	-	123.7	4.87	10.67	.42
150 mm - 6.00 " Fig. C									
09650-F/30	Guard, Retainer, Media (30 PPI)**	161.8	6.38	5.08(2)	.20(2)	176.50	6.95	9.91	.39
09650-F/45	Guard, Retainer, Media (45 PPI)**	161.8	6.38	5.08(2)	.20(2)	176.50	6.95	9.91	.39
09650-F/60	Guard, Retainer, Media (60 PPI)**	161.8	6.38	5.08(2)	.20(2)	176.50	6.95	9.91	.39
09650-F/100	Guard, Retainer, Media (100 PPI)**	161.8	6.38	5.08(2)	.20(2)	176.50	6.95	9.91	.39
09650-M/30*	Foam Media, (30 PPI)**	-	-	-	-	149.86	5.90	3.30	.13
09650-M/45*	Foam Media, (45 PPI)**	-	-	-	-	149.86	5.90	3.30	.13
09650-M/60*	Foam Media, (60 PPI)**	-	-	-	-	149.86	5.90	3.30	.13
09650-M/100*	Foam Media, (100 PPI)**	-	-	-	-	149.86	5.90	3.30	.13
09650-G	Guard Only	161.8	6.38	5.08(2)	.20(2)	176.50	6.95	9.91	.39
09650-R	Retainer Only	-	-	-	-	150.00	5.91	4.50	.18



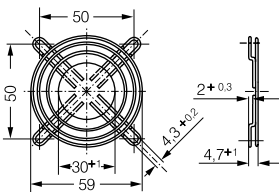
Finger Guards

- Finger guards as per EN 294, of rust-proof steel wire for equipment fans.
- Further finger guards that do not conform to EN 294 can be supplied on request.

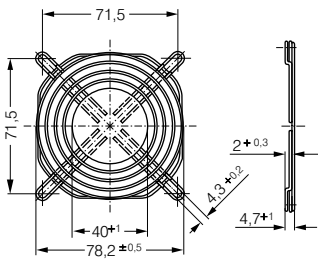
LZ29-1 Fan series 400



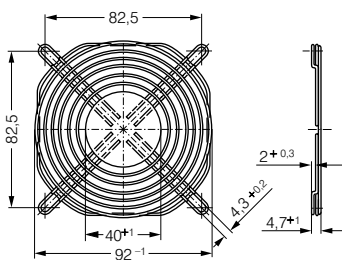
LZ28-1 Fan series 600



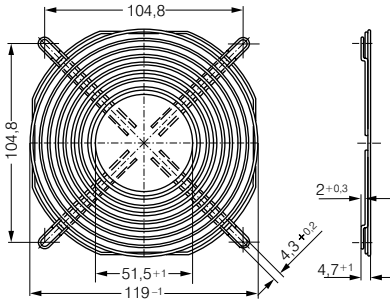
LZ32-4 Fan series 8000



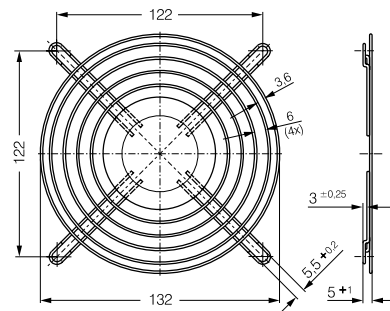
LZ23-1 Fan series 3000



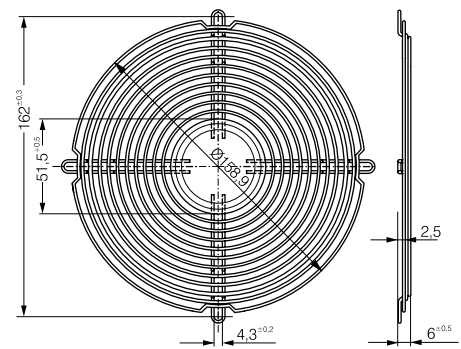
LZ30-4 Fan series 9000/4000



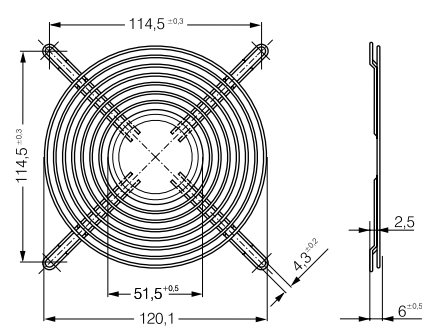
LZ25 Series 5100/5600



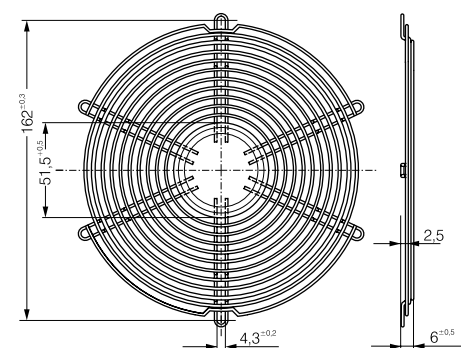
LZ37 Fan series 6000



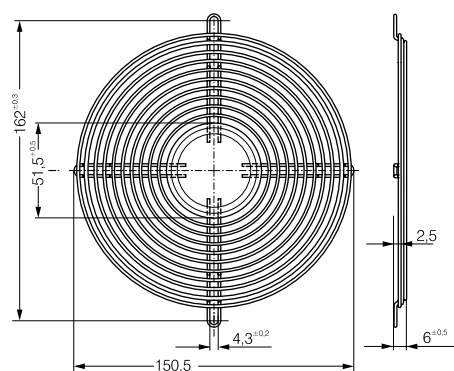
LZ35 Series 5200/5900

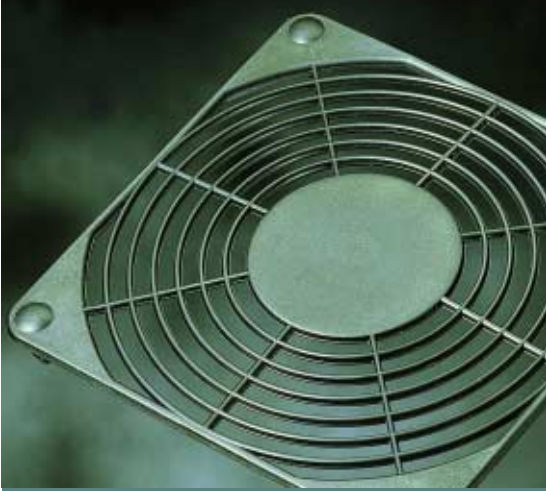


LZ38 Fan series 6400



LZ36 Fan series 7000





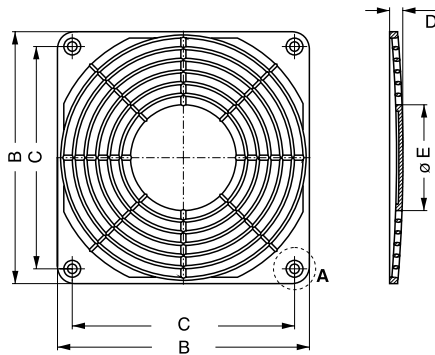
■ Finger guards for axial fans and crossflow blower of black, fibre-glass reinforced plastic. These finger guards conform to EN 294.

Finger Guards

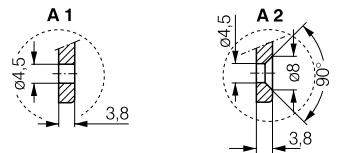
Finger Guards	Fan series
LZ32-2	8000
LZ32-3	8000
LZ32P	8000
LZ23-2	3000
LZ23-3	3000
LZ30-5	9000
LZ30-6	9000
LZ30P	9000
LZ30-5	4000
LZ30-6	4000
LZ30P	4000
LZ33-1	5200
LZ33-2	5200
LZ33-1	5900
LZ33-2	5900
LZ34	RG125

Dimensions LZ 32..

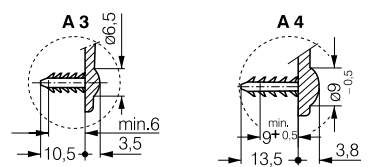
Finger Guards	Mounting	B	C	D	E
LZ32-2	A 1	80 ^{-0,5}	71,5 ^{+0,2}	7,0	34
LZ32-3	A 3	80 ^{-0,5}	71,5 ^{+0,2}	7,0	34
LZ23-2	A 1	92,5 ^{-0,5}	82,5 ^{+0,2}	6,5	46
LZ23-3	A 3	92,5 ^{-0,5}	82,5 ^{+0,2}	6,5	46
LZ30-5	A 2	119 ^{-0,5}	105 ^{+0,2}	6,5	50
LZ30-6	A 4	119 ^{-0,5}	105 ^{+0,2}	6,5	50
LZ33-1	A 2	127 ^{-0,5}	113,5 ^{+0,2}	6,5	50
LZ33-2	A 4	127 ^{-0,5}	113,5 ^{+0,2}	6,5	50



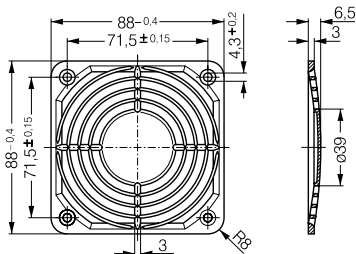
Screw connection



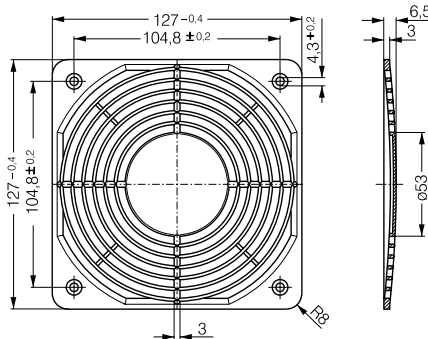
Barbed inserts



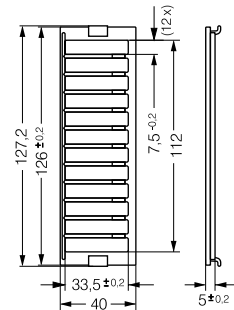
LZ32P

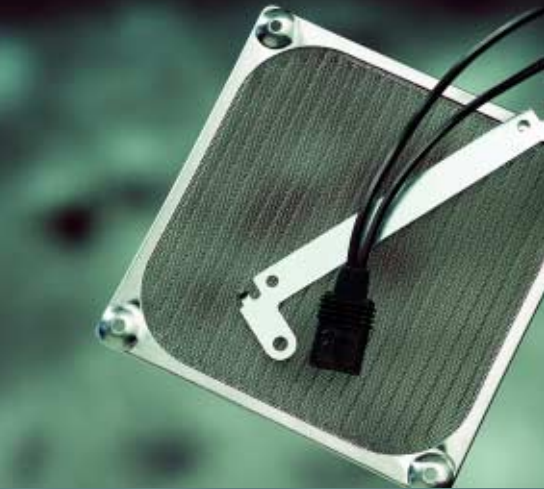


LZ30P



LZ34





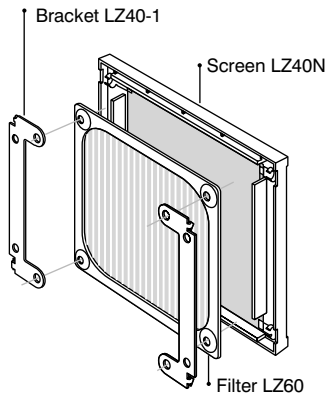
Accessories

In addition to the accessories and assembly parts listed in this catalogue, PAPST also supplies numerous special parts for fan operation. The sales experts at PAPST will be happy to assist you in your enquiries concerning fan assembly and application.

Finger Guards	Fan Series
LZ212	8300
LZ260	8300
LZ261	8400
LZ212	3300
LZ260	3300
LZ210	9000
LZ40N	9000
LZ40-1	9000
LZ60	9000
LZ210	4000
LZ40N	4000
LZ40-1	4000
LZ60	4000
LZ212	4300
LZ260	4300
LZ210	5100
LZ210	5600
LZ210	5200
LZ210	5900
LZ210	7000
LZ370	VARIOFAN

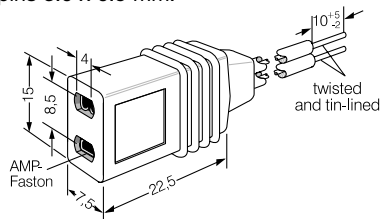
LZ40N / LZ40-1 / LZ60

LZ40N of black, fibre-glass reinforced plastic with inserted aluminium wire mesh LZ60. Mounting with brackets LZ40-1.



LZ120

Connecting cable with moulded plug, (PVC, black). Stranded wires with multi-core cable ends. For all types of fan with flat pins 3.0 x 0.5 mm.



Type	Cable length	Pins
LZ120	610 mm	0,5 mm
LZ126	1000 mm	0,5 mm
LZ130-1	610 mm, UL approved	0,5 mm

Additional versions are available on special order

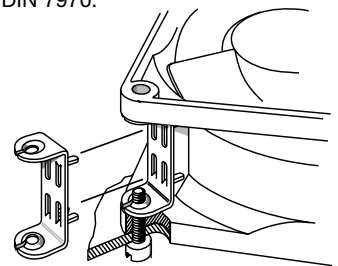
LZ210

Screw clip of hardened steel. For mounting fans with threaded pin 6-32 UNC and/or 3.5 DIN 7970.



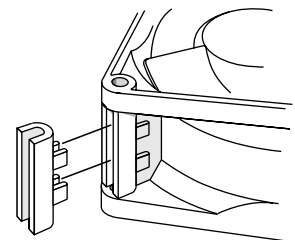
LZ212

Screw clip of rust-resistant spring steel. For mounting fans with threaded pin 3.5 DIN 7970.



LZ260 / LZ261

Spacer of fibreglass reinforced plastic. For screw mounting over both fan mounting flanges.



LZ370

Temperature sensor for speed-controlled fan operation. Temperature range 30...50 °C.



Required performance date:

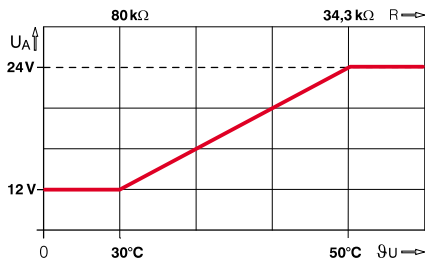
R ₂₅	= 100 KΩ ±5%
B-value	= 4190 ± 2%
P _{max}	= 0,25 W



Power Supply PS60

- Convection-cooled switched-mode power supply, specially designed for operating electronically commutated fans or motors.
- Up to 6 consumers with a total of 60 watts power consumption can be directly connected to the output plug connector.
- 24 VDC nominal voltage. Output voltage adjustable from 12 to 24 V via external resistor or potentiometer.
- Temperature-dependent fan operation. The required voltage is set via an external temperature sensor.
- Plastic housing.

The power unit features a control input for selecting the voltage. The output voltage can be set via an external resistor from 12 to 24 V. When using a 100 kΩ NTC sensor (Accessory LZ 370) a temperature/voltage curve of 30 to 50 °C is produced. An efficient and practice-oriented reduction of the air flow performance and noise emitted by the fan can be achieved in this temperature range.



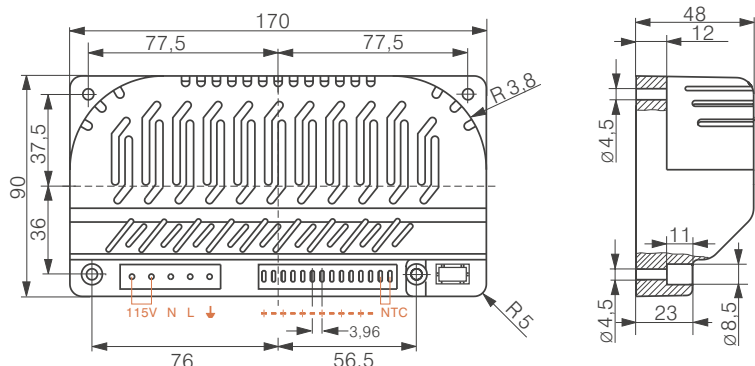
If the control input is open or the sensor has been torn off, 24 VDC are available at the output.

Option: PCB with additional functions e.g. speed monitoring with alarm signal output for critical speeds.

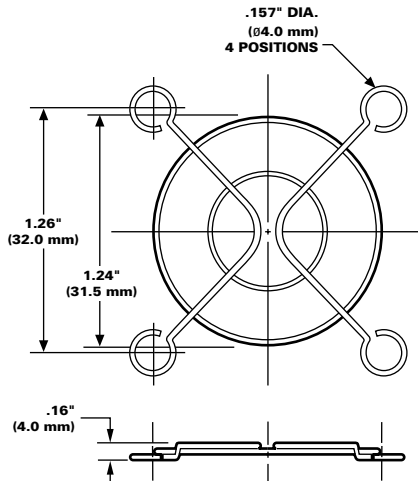
The power unit is an integrated device. For installation and operation, observe the relevant DIN/VDE (German Industrial Standards/Association of German Electricians) and country-specific regulations.

For optimum cooling vertical assembly; observe clearance of min. 80 mm. The place of installation must fulfill the conditions for fireproof housings as per EN 60335 and EN 60950. Installation should only be carried out by skilled personnel.

Electrical connection	Mains input:	N / L / PE
		Bridge for 115V mains voltage
	Outputs:	6x plus / minus
	Connection:	Standard plug e.g.: AMP
		MTA-connector SL156
Nominal input voltage	115VAC 60Hz or 230VAC 50HZ switchable	
Voltage range	110VAC (-10% +15%), 57Hz ... 63Hz	
110V nominal voltage	Operation down to 90VAC with limited output	
Voltage range	230VAC (-20% +15%), 47Hz ... 53Hz	
230V Nominal voltage		
Nominal output voltage	24V ±2%	(12 ... 24V ±2%)
Starting inrush current	<20A (cold start)	
Control line / load	≤ 0.2%	≤ 0.1%
Output current / output power	2.5A with VA = 24V	60W with VA = 24V
	1.25A with VA = 12V	30W with VA = 12V
Operating efficiency	>85% at nominal load	
Reliability (Siemens Standard)	L10 = 70000h at 40°C / 40000h at 70°C	
Protection type and class	IP20 / 1	
Degree of contamination	2 (EN50178)	
Galvanic separation	3000VAC	
Basic safety standards	EN60950 / VDE0805 / UL1950 / CE	
Protective functions	Output – free running and short circuit proof	
Operating mode	Continuous operation	
Operating temperature	-25°C ... +55°C	
Max. operating temperature	+70°C housing temperature	
EMV: Emission / noise immunity	EN 50081-1 / EN 50081-2	
Mass	300g	



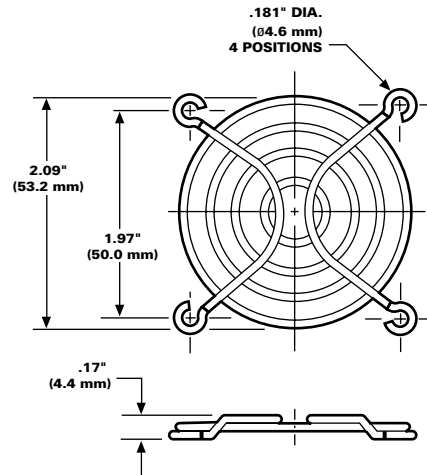
WFG 16



Finger Guard for 1.60" Square Fan

Meets UL .25 Dia. Plug Gage Test
Material: C1010
Finish: Bright Nickel Chrome
Ribs: .06" (1.6 mm) Dia.
Rings: .06" (1.6 mm) Dia.

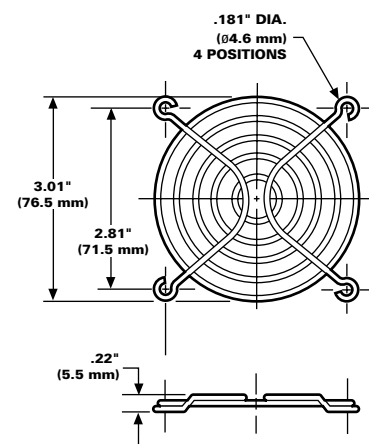
WFG 24



Finger Guard for 2.36" Square Fan

Meets UL .25 Dia. Plug Gage Test
Material: C1010
Finish: Bright Nickel Chrome
Ribs: .06" (1.6 mm) Dia.
Rings: .06" (1.6 mm) Dia.

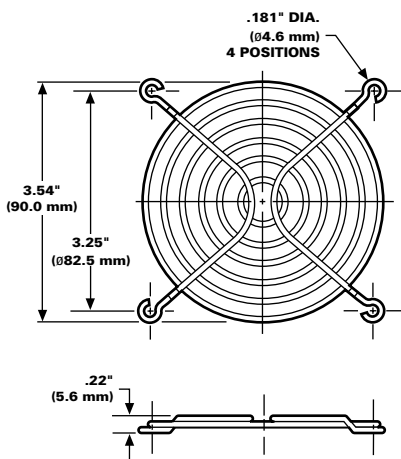
WFG 31



Finger Guard for 3.15" Square Fan

Meets UL .25 Dia. Plug Gage Test
Material: C1010
Finish: Bright Nickel Chrome
Ribs: .07" (1.8 mm) Dia.
Rings: .07" (1.8 mm) Dia.

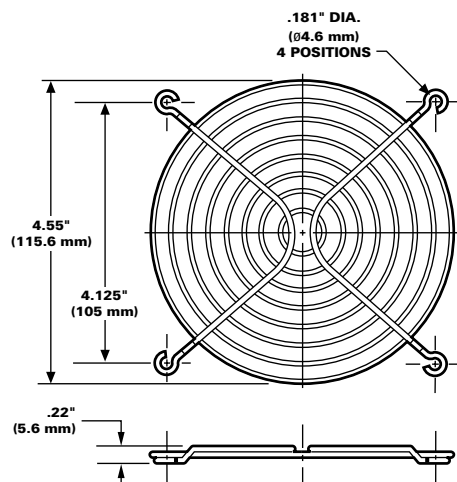
WFG 36



Finger Guard for 3.63" Square Fan

Meets UL .25 Dia. Plug Gage Test
Material: C1010
Finish: Bright Nickel Chrome
Ribs: .07" (1.8 mm) Dia.
Rings: .06" (1.6 mm) Dia.

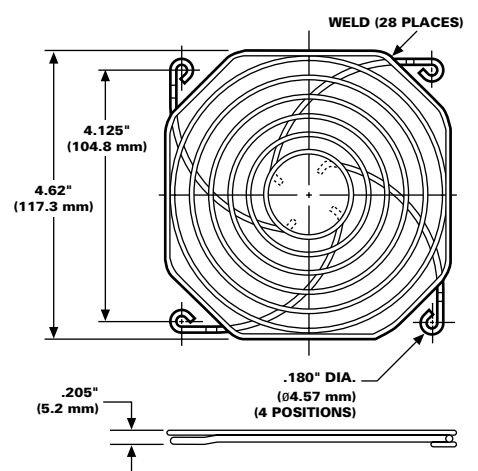
WFG 47



Finger Guard for 4.69" Square Fan

Meets UL .25 Dia. Plug Gage Test
Material: C1010
Finish: Bright Nickel Chrome
Ribs: .07" (1.8 mm) Dia.
Rings: .07" (1.8 mm) Dia.

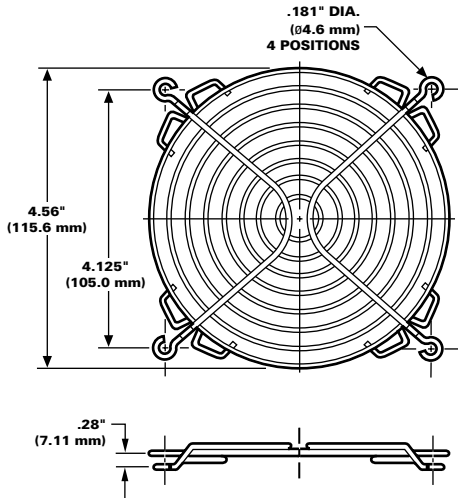
WFG 47S



Finger Guard for 4.69" Square Fan

Meets UL .25 Dia. Plug Gage Test
Material: C1010 Wire Basic Steel
Finish: Bright Nickel Chrome
Ribs: .08" (2.0 mm) Dia.
Rings: .06" (1.6 mm) Dia.

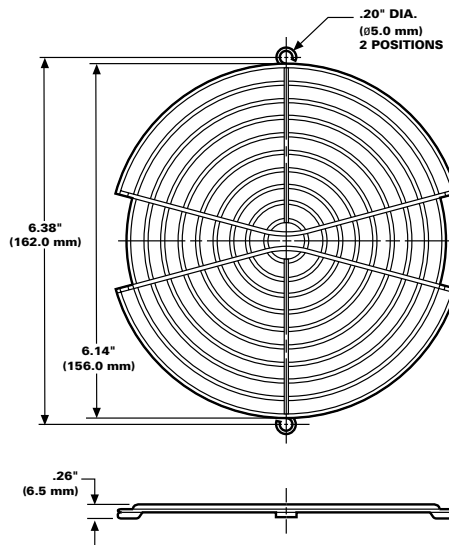
WFG 47W



Finger Guard for 4.69" Square Fan

Meets UL .25 Dia. Plug Gage Test
 Material: C1010
 Finish: Bright Nickel Chrome
 Ribs: .08" (2.0 mm) Dia.
 Rings: .07" (1.8 mm) Dia.

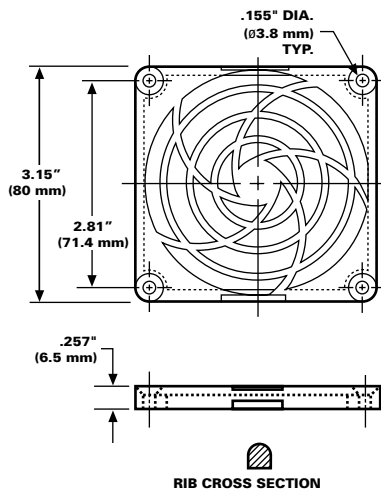
WFG 59



Finger Guard for 5.91" x 6.78" Fan

Meets UL .25 Dia. Plug Gage Test
 Material: C1010
 Finish: Bright Nickel Chrome
 Ribs: .09" (2.3 mm) Dia.
 Rings: .07" (1.8 mm) Dia.

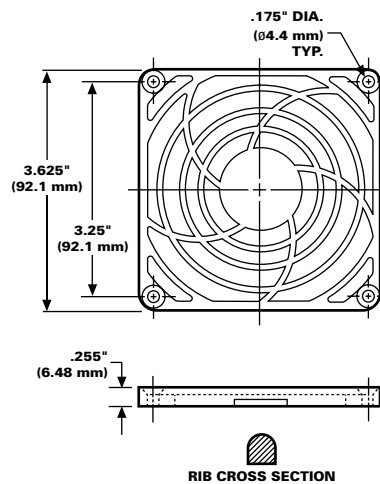
PFG 31



Finger Guard for 3.15" Square Fan

Material: Black Plastic
 UL Listed 94V-0

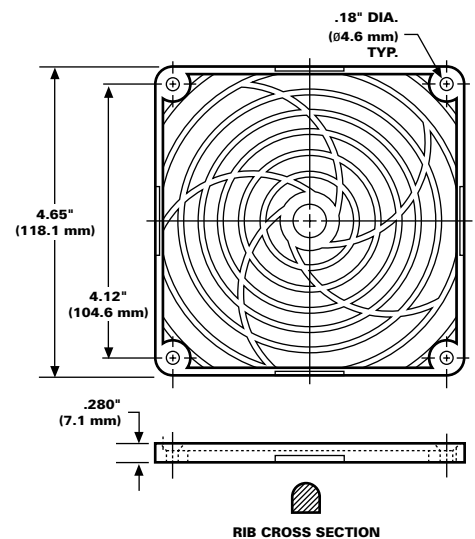
PFG 36



Finger Guard for 3.6" Square Fan

Material: Black Plastic
 UL Listed 94V-0

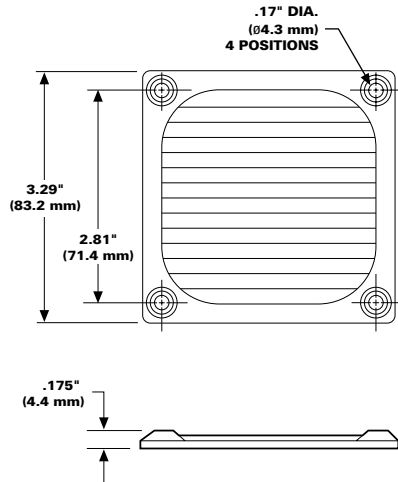
PFG 47



Finger Guard for 4.69" Square Fan

Material: Black Plastic
 UL Listed 94V-0

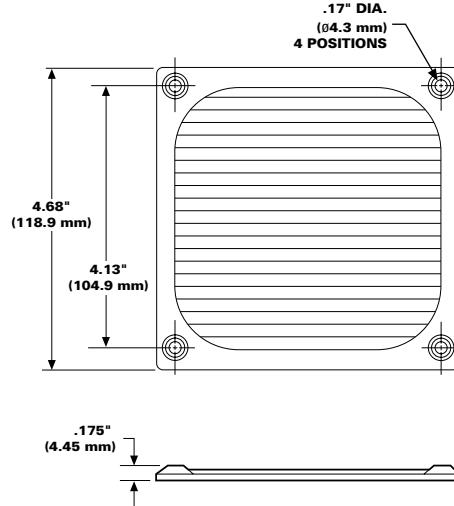
WFS 31M



Screen Guard for 3.15" Square Fan
Material: Aluminum

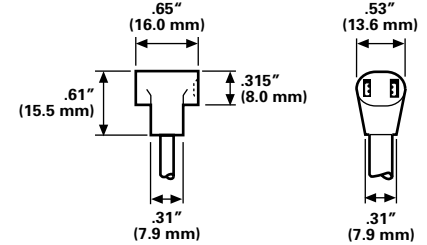
Note: Also available — WFS 36M
and WFS 24M

WFS 47M



Screen Guard for 4.69" Square Fan
Material: Aluminum

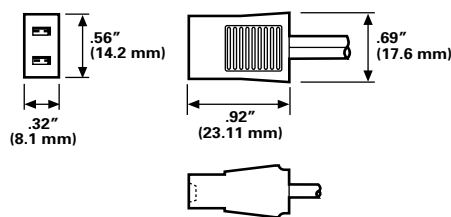
TPC 12/24/36



Power Cord with T-Head Connector in 12", 24",
or 36" Length.*

UL E-156798
CSA LR 76679

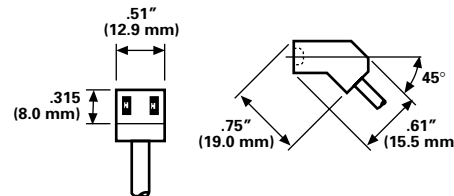
SPC 12/24/36



Power Cord with Straight Connector in 12",
24", or 36" Length.*

UL E-156798
CSA LR 76679

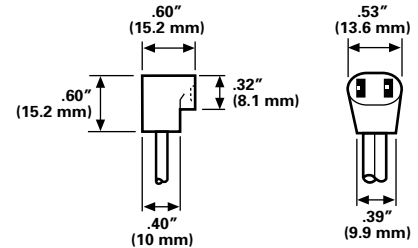
FPC 12/24/36



Power Cord with 45° Connector in 12", 24",
or 36" Length.*

UL E-156798
CSA LR 76679

RPC 12/24/36



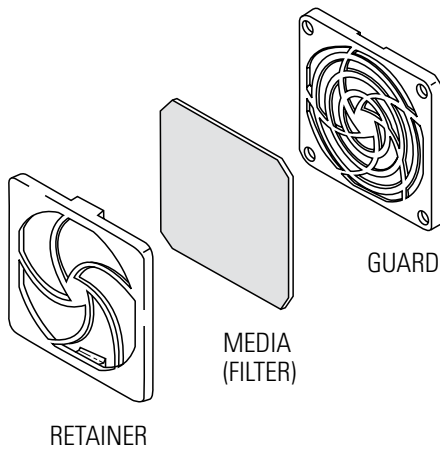
Power Cord with Right-Angle Connector in
12", 24", or 36" Length.*

UL E-156798
CSA LR 76679

* Other lengths available. Please consult factory.

Fan Accessories

Filter/Guards/Filter Media



Filter/Guards for 1.6", 2.36", 3.15", 3.62", and 4.69" Square Fans

Meets UL .25 Dia. Plug Gage Test

Material: Guard and Retainer –
Black Plastic. UL Listed 94V-0

Media – Polyurethane Foam. UL Listed 94HF-1

Filter/Guard Part Numbers	Description	For Globe Fan Series
PFA 1630	30 PPI Filter	D16
PFA 1645	45 PPI Filter	D16
PFA 2430	30 PPI Filter	A24 D24
PFA 2445	45 PPI Filter	A24 D24
PFA 3130	30 PPI Filter	A31 D31
PFA 3145	45 PPI Filter	A31 D31
PFA 3630	30 PPI Filter	A36 D36
PFA 3645	45 PPI Filter	A36 D36
PFA 4730	30 PPI Filter	A47 D47
PFA 4745	45 PPI Filter	A47 D47

Replacement Media Part Numbers	Description	For Filter/Guard Part Numbers
FFM1630	30 PPI Filter Media	PFA1630
FFM1645	45 PPI Filter Media	PFA1645
FFM2430	30 PPI Filter Media	PFA2430
FFM2445	45 PPI Filter Media	PFA2445
FFM3130	30 PPI Filter Media	PFA3130
FFM3145	45 PPI Filter Media	PFA3145
FFM3630	30 PPI Filter Media	PFA3630
FFM3645	45 PPI Filter Media	PFA3645
FFM4730	30 PPI Filter Media	PFA4730
FFM4745	45 PPI Filter Media	PFA4745

Note: PPI = Pores Per Inch